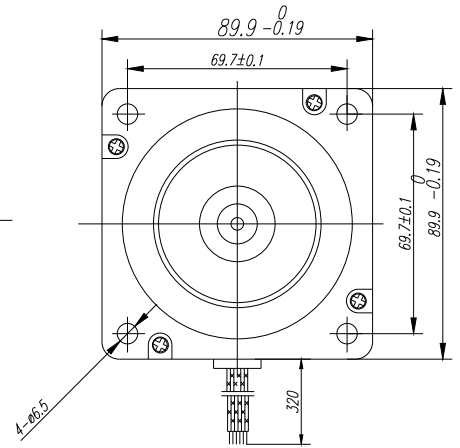
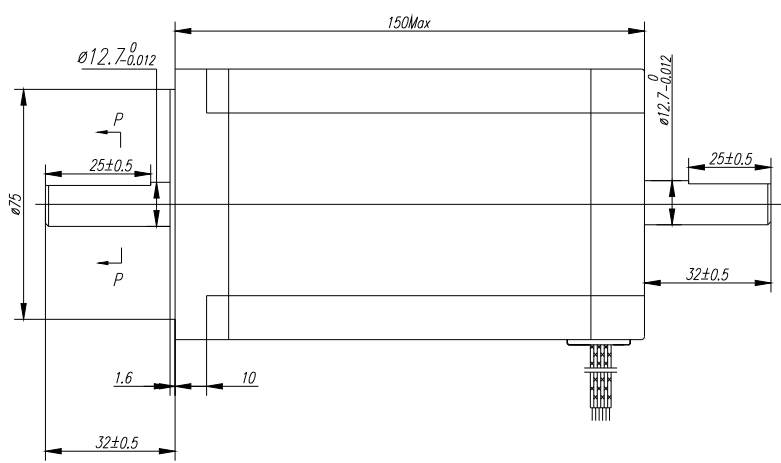
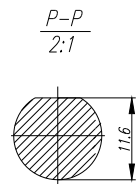


DIMENSIONS

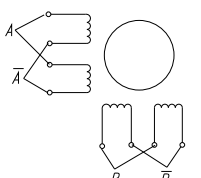
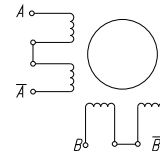
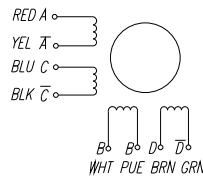


SPECIFICATIONS unit=mm

CONNECTION WISE	EIGHT WIRING	SERIES CONNECTION	PARALLEL CONNECTION
PHASE	2 PHASE	2 PHASE	2 PHASE
STEP ANGLE	$1.8 \pm 5\%$ °/STEP	$1.8 \pm 5\%$ °/STEP	$1.8 \pm 5\%$ °/STEP
VOLTAGE	4.9 V	6.6 V	3.3 V
CURRENT	6.0 A/PHASE	4.0 A/PHASE	8.0 A/PHASE
RESISTANCE	$0.82 \pm 10\%$ $\Omega$ /PHASE	$1.64 \pm 10\%$ $\Omega$ /PHASE	$0.41 \pm 10\%$ $\Omega$ /PHASE
INDUCTANCE	$4.3 \pm 20\%$ mH/PHASE	$17.2 \pm 20\%$ mH/PHASE	$4.3 \pm 20\%$ mH/PHASE
HOLDING TORQUE	1300 N.cm	1800 N.cm	1800 N.cm
INSULATION CLASS	B	B	B
LEAD STYLE	FF46-1/0.5	FF46-1/0.5	FF46-1/0.5
NO. OF LEADS	8	4	4

COLORS OF LEAD WIRES

BIPOLAR & UNI-POLAR



EIGHT WIRING CONNECTION

SERIES CONNECTION

PARALLEL CONNECTION

90HS150DE082D

SPECIFICATION

TAG	PLACE	CHANGE	NAME	DATE
DESIGN		STD.		
CHECK		APPROVE		
PROC.				

DESIGN	MASS PLATE	SCALE

NR PAGE: